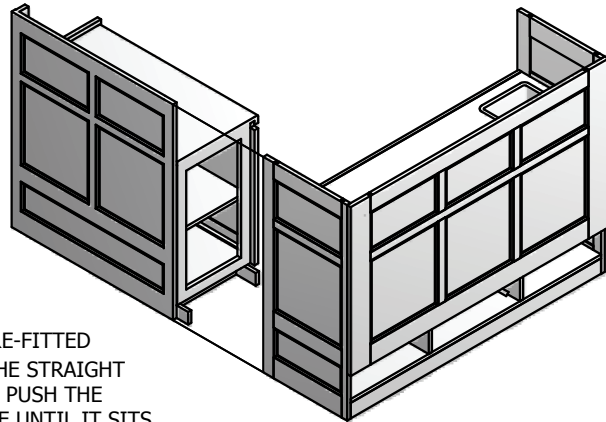


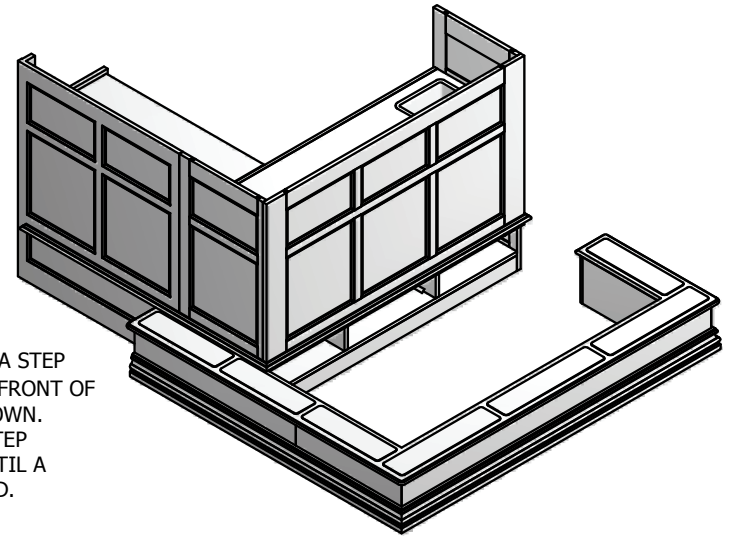
# SONOMA RETURN BAR ASSEMBLY INSTRUCTIONS

  
California House™  
Finely Crafted Furniture Since 1953

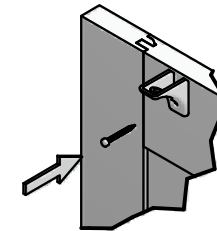
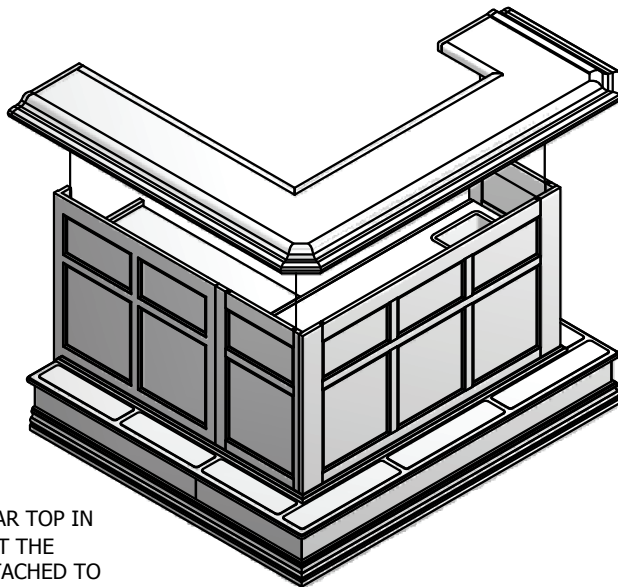
**1** ALIGN THE PRE-FITTED RETURN WITH THE STRAIGHT BAR AS SHOWN. PUSH THE RETURN IN PLACE UNTIL IT SITS FLUSH WITH THE STRAIGHT BAR.



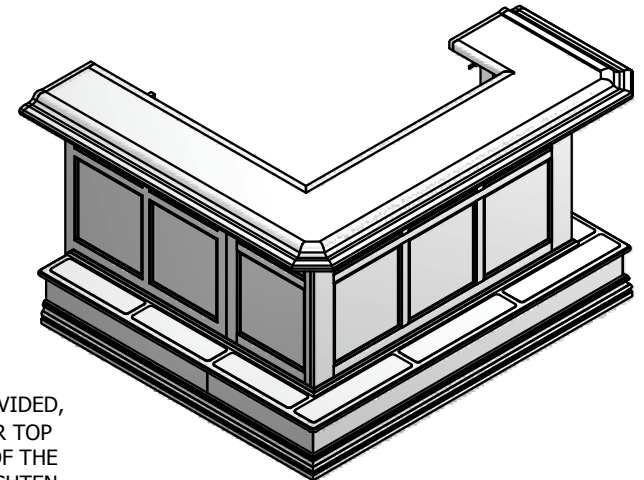
**2** ALIGN THE SONOMA STEP ASSEMBLY WITH THE FRONT OF THE BAR CASE AS SHOWN. SLOWLY SLIDE THE STEP AGAINST THE BAR UNTIL A SNUG FIT IS ACHIEVED.



**3** LIFT THE BAR TOP IN PLACE SO THAT THE BRACKETS ATTACHED TO THE UNDERSIDE OF THE BAR TOP REST TO THE INSIDE OF THE BAR CASE.



**4** USING THE SCREWS PROVIDED, CAREFULLY FASTEN THE BAR TOP BRACKETS TO THE INSIDE OF THE BAR CASE. DO NOT OVERTIGHTEN OR DEFORM THE BRACKET.



NOTE: CABINET HINGES MAY SHIFT DURING SHIPPING. USE THE HINGE ADJUSTMENT SCREW TO SQUARE THE DOOR WITH THE BAR CASE.